

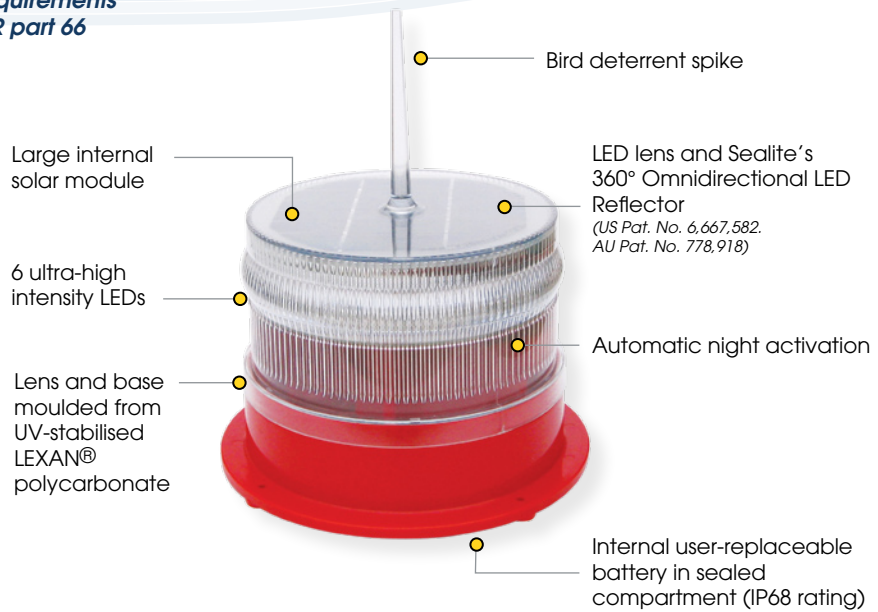
SL60

2nm Solar Marine Light

This equipment complies with requirements of the U.S. Coast Guard in 33 CFR part 66



Shown with optional 200mm OD base pattern (SL60-LB)



The Sealite Advantage

- 256 IALA flash patterns, user-adjustable without the need for external devices
- User-replaceable battery in sealed battery compartment
- NiMH battery for long service life & wide temperature range
- 4 user-adjustable intensity settings
- ON/OFF storage switch
- IP68 waterproof

The Sealite SL60 is the world's most popular and versatile 2nm solar marine light.

Made from tough, durable polycarbonate and using the latest high intensity LED's, no expense has been spared in the design and development of this lantern.

The SL60 can be installed in minutes, and requires no operator intervention. The flash-characters are easily adjusted on-site by the user, and the lantern has a permanent ON/OFF switch for easy storage.

During daylight hours the solar module will charge the battery, and the lantern will automatically begin operation at dusk - once the ambient light threshold drops sufficiently.

The SL15, SL60 and SL70 lanterns are the only compact marine lanterns available with a sealed battery compartment, allowing the battery to be replaced after years of service - don't throw the light away at the end of the battery service life.

The unit is sealed using polycarbonate bonding compounds similar to those used by major automobile manufacturing companies.



SL60 mounted on Sealite Aquafloat buoy, Manila, Philippines



SL60's marking gas transfer lines, Guajira Peninsula, Colombia



Head Office:
Sealite Pty Ltd
AUSTRALIA

Ph. +61 (0)3 5977 6128
Fax. +61 (0)3 5977 6124
Internet: www.sealite.com.au
Email: info@sealite.com.au

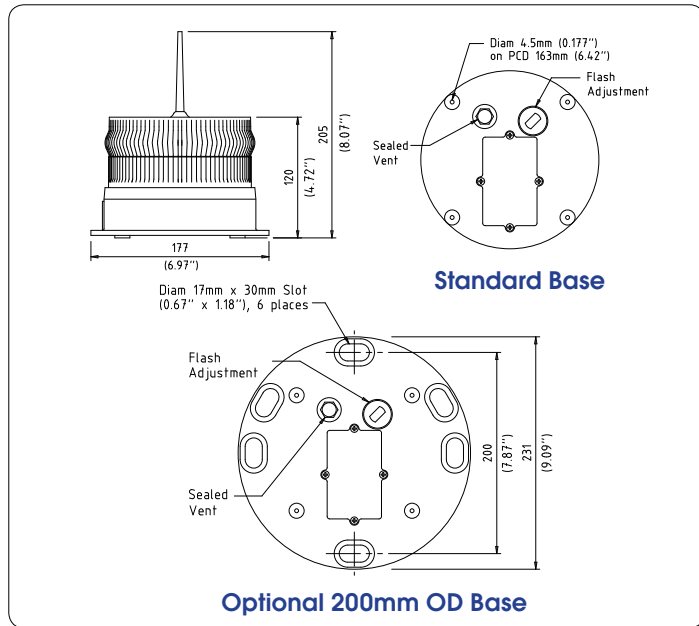
USA Customers:
Sealite USA
USA (Gilford, NH)

Ph. (603) 524-6066
Fax. (603) 524-8100
Internet: www.sealiteusa.com
Email: info@sealiteusa.com

SL60 2nm Solar Marine Light



User replaceable battery



SPECIFICATIONS .

Light Characteristics

Light Source	6 ultra-high intensity LEDs
Available Colours	Red, Green, White, Yellow, Blue
Peak Intensity (cd)	Red - 10.0 Green - 10.1 White - 12.1 Yellow - 8.9
Visible Range (nm)	>2
Horizontal Output (degrees)	360
Vertical Divergence (degrees)	9
Reflector Type	Omnidirectional 360° LED Reflector (US Pat. No. 6,667,582. AU Pat. No. 778,918)
Available Flash Characteristics	Up to 256 IALA recommended (user adjustable)
Intensity Adjustments	Adjustable in 25% increments
LED Life Expectancy (hours)	>100,000

Electrical Characteristics

Current Draw (mA)	Minimal
Circuit Protection	Integrated
Nominal Voltage (v)	3.6
Autonomy (days)	>20 (14 hour darkness, 12.5% duty cycle)
Temperature Range	-40 to 80 °C

Solar Characteristics

Solar Module Type	Multicrystalline
Output (watts)	1.4
Solar Module Efficiency (%)	14
Charging Regulation	Microprocessor controlled

Power Supply

Battery Type	High grade NIMH - Environment friendly
Battery Capacity (Ah)	4
Nominal Voltage (v)	3.6
Battery Service Life	Average 5 years

Physical Characteristics

Body Material	LEXAN® Polycarbonate - UV-stabilised
Lens Material	LEXAN® Polycarbonate - UV-stabilised
Lens Diameter (mm/inches)	150 / 5 ⁷ / ₈
Lens Design	External optics with interior flute design
Mounting	4 x 4.5mm mounting holes
Height (mm/inches)	205 / 8 ¹ / ₈
Width (mm/inches)	177 / 7
Mass (kg/lbs)	1.1 / 2 ³ / ₈
Product Life Expectancy	Up to 12 years

Certifications

CE	EN61000-6-3:1997. EN61000-6-1:1997
Quality Assurance	ISO9001:2000
Waterproof	IP68

Intellectual Property

Patents	US Pat. No. 6,667,582. AU Pat. No. 778,918
Trademarks	SEALITE® is a registered trademark of Sealite Pty Ltd

Warranty *

Options Available	Full 3 years
	<ul style="list-style-type: none"> • 8Ah battery (SL60/8Ah) • 200mm OD base (SL60-LB) • Hard-wire synchronisation • 50mm pole mount adaptor plate

CE

• Specifications subject to change or variation without notice

* Subject to standard terms and conditions



Head Office:
Sealite Pty Ltd
AUSTRALIA

Ph. +61 (0)3 5977 6128
Fax. +61 (0)3 5977 6124
Internet: www.sealite.com.au
Email: info@sealite.com.au

USA Customers:
Sealite USA
USA (Gilford, NH)

Ph. (603) 524-6066
Fax. (603) 524-8100
Internet: www.sealiteusa.com
Email: info@sealiteusa.com